

# OFF GRID HYBRID INVERTER

**ANJ-HHS-8500W-48V-Wifi**

**ANJ-HHS-11KW-48V-Wifi**

**PV 60-500Vdc**



Pure sine wave



PV 60-500Vdc



WIFI Optional



Dual MPPT



PF=1.0



Anti-shock design terminal



Lithium Battery Activation

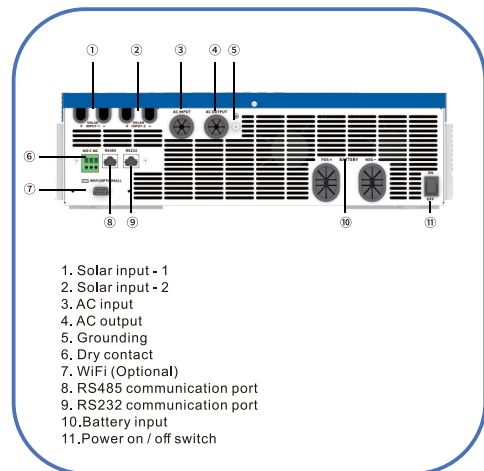


RS232 RS485



## Features

- Built-in 2 MPPT
- Lithium battery activation function by PV or Utility
- Compatible work with LiFePO4 battery via RS485
- Pure Sine Wave
- Power factor 1.0
- PV Input 500Vdc Max
- Built-in MPPT 140A/160A
- Capable to work without battery
- Detachable dust cover for harsh environment
- Wifi remote monitoring optional
- Support multiple output priority: UTL, SOL, SBU, SUB
- EQ function to optimize battery performance and extend lifecycle



## Technical Data

MODEL	ANJ-HHS-8500W-48V-Wifi	ANJ-HHS-11KW-48V-Wifi
Capacity	8.5KVA/8.5KW	11KVA/11KW
Maximum PV Input Power	10KW	11KW
Parallel Capability	NO	NO
Lithium Battery Activation	YES ( By PV or Utility)	
Lithium Battery Communication	YES(RS485)	
<b>INPUT</b>		
Nominal Voltage	230VAC	
Acceptable Voltage Range	170-280VAC(For personal Computer);90-280VAC(For Home Appliances)	
Frequency	50/60 Hz (Auto sensing)	
<b>OUTPUT</b>		
Nominal Voltage	220/230/240VAC	
Surge Power	17000VA	22000VA
Frequency	50/60 Hz	
Waveform	Pure Sine wave	
Transfer Time	10ms(For personal Computer);20ms(For Home Appliances)	
Peak Efficiency	94%	
Overload Protection	5s@ > =140% load; 10s@110%~140% load	
Admissible Power Factor	0.6~1 (inductive or capacitive)	
Grid-tie Operation	NO	
<b>BATTERY</b>		
Battery Voltage	48VDC	48VDC
Maximum Discharge Current	180A	220A
Floating Charge Voltage	54VDC	54VDC
OverCharge Protection	63VDC	63VDC
Charging Method	CC/CV	
<b>SOLAR CHARGER &amp; AC CHARGER</b>		
Solar Charger TYPE	MPPT	MPPT
Max.PV Array Power	5000W*2	5500W*2
Max. PV Array Open Circuit Voltage	500VDC	500VDC
PV Array MPPT Voltage Range	60VDC~500VDC	60VDC~500VDC
Max. Solar Input Current	18A*2	18A*2
Max. Solar Charge Current	140A	160A
Max. AC Charge Current	120A	120A
Max. Charge Current	140A	160A
<b>PHYSICAL</b>		
Dimensions, D x W x H(mm)	540*415*122	540*415*122
Net Weight (Kgs)	14	15
Communication Interface	RS232/RS485/DRY CONTACT	
LCD	YES	
<b>ENVIRONMENT</b>		
Operating Temperature Range	-10°C to 50°C	
Storage temperature	-15°C~ 60°C	
Humidity	5% to 95% Relative Humidity (Non-condensing)	

\*Product specifications are subject to change without further notice.