

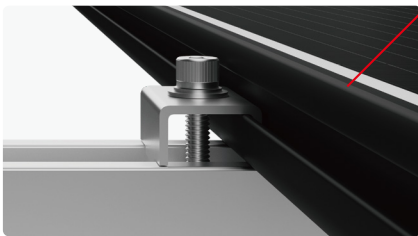


DHN-48Z20/DG/FS(BW) 465~485W

Full-Screen Double Glass PV Module 4.0

Note: The Full-Screen 4.0 module (with side mounting option) supports both standard clamp and mounting hole installation. Standard clamps include pre-attached EPDM rubber. For side mounting, please purchase the customized clamps, which will be shipped together with the modules.

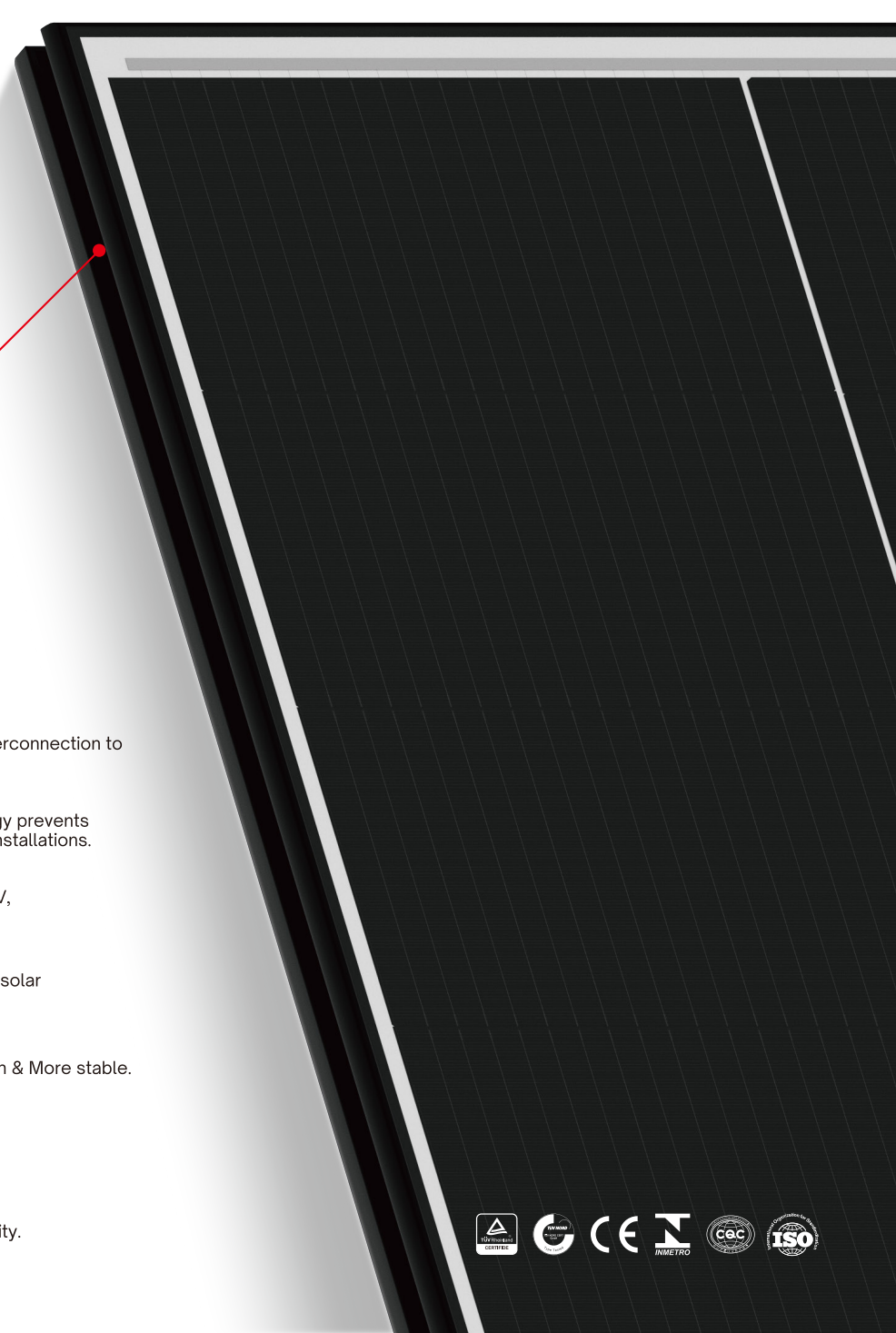
- Material & technology warranty
- Linear power output warranty



- Double-glass with no solder point and mesh interconnection to resist virtual soldering & hidden cracks.
- Global patented Full-Screen anti-dust technology prevents dust accumulation in both horizontal & vertical installations.
- PIB - enhanced insulation withstands over 2000V, offering superior performance.
- Triple-sealing provides long-term protection for solar cells against moisture corrosion.
- Side-mounting + Hiding-clamps, Easy installation & More stable.
- System costs are effectively reduced, with higher annual power generation revenue.
- Superior installed capacity and revenue, reduce land usage for the same installed capacity.

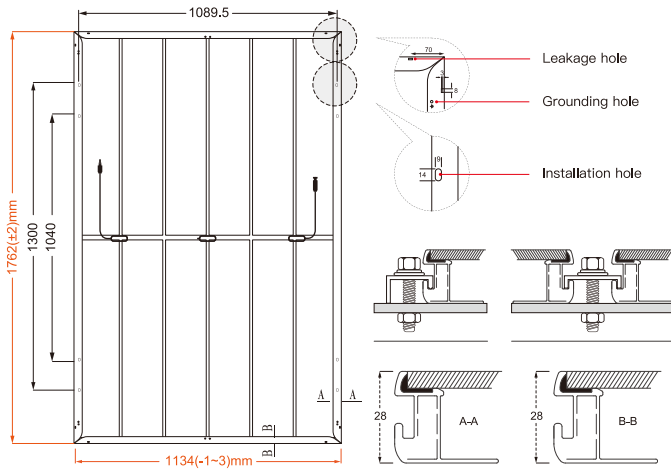
Comprehensive Products & System Certificates

IEC 61215 / IEC 61730 / CE / INMETRO
ISO 45001
2018/International standards for occupational health & safety
ISO 14001
2015/Standards for environmental management system
ISO 9001
2015/Quality management system
Certified Through DERKA Wind Tunnel Testing

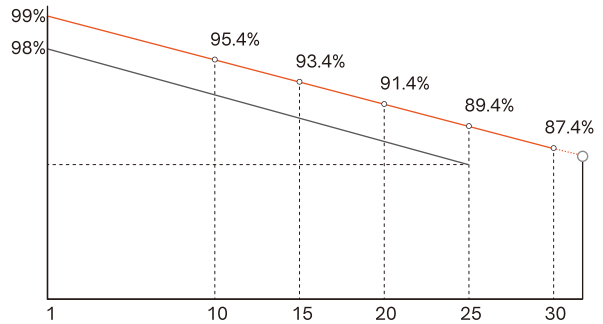


DHN-48Z20/DG/FS(BW) 465~485W

Design



30-Year Linear Power Output Warranty



— DAH Solar linear power output guarantee
— Standard linear power output guarantee

Mechanical Specification

No. of Cells	96 (6×16)
Weight	24.3kg
Dimension (L×W×T)	1762(±2)mm×1134(-1~3)mm×28mm
Packing	37pcs/Pallet, 962pcs/40HQ

Cable(Including connector)	4.0mm ² , 300/200mm in length, length can be customized
Glass	2.0mm High Transmission, Antireflection Coating
Junction Box	IP68, 3 Bypass Diodes
Connector	MC4 Compatible

Electrical Characteristics

Module Type	DHN-48Z20/DG/FS(BW)											
	STC		NOCT		STC		NOCT		STC		NOCT	
Test conditions	STC	NOCT	STC	NOCT	STC	NOCT	STC	NOCT	STC	NOCT	STC	NOCT
Maximum Power (P _{max} /W)	465	350	470	353	475	357	480	361	485	365		
Open-circuit Voltage (V _{oc} /V)	35.4	33.6	35.5	33.7	35.6	33.8	35.7	33.9	35.8	34.0		
Maximum Power Voltage (V _{mp} /V)	30.2	28.7	30.3	28.8	30.4	28.9	30.5	29.0	30.6	29.1		
Short-circuit Current (I _{sc} /A)	16.18	13.06	16.22	13.10	16.26	13.13	16.30	13.16	16.34	13.19		
Maximum Power Current (I _{mp} /A)	15.40	12.19	15.51	12.28	15.63	12.37	15.74	12.46	15.85	12.55		
Module Efficiency (STC)	23.27		23.52		23.77		24.02		24.27			
Refer Bifacial Factor	80±5%											

STC-Standard Test Environment: Irradiance 1000W/m², Cell temperature 25°C, Spectrum AM1.5
NOCT-Standard Test Environment: Irradiance 800W/m², Ambient temperature 20°C, Spectrum AM1.5, Wind speed 1m/s
Note: The electrical data in this catalog only serve for comparison among different module type.
They do not refer to any individual module and they are not part of the offer.

Double-Sided Power Generation Parameters (Rear gain)

Gain	Parameter	488	494	499	504	509
5%	Maximum Power (P _{max})	488	494	499	504	509
	Module Efficiency (%)	24.4	24.7	25.0	25.2	25.5
15%	Maximum Power (P _{max})	534.8	540.5	546.3	552.0	557.8
	Module Efficiency (%)	26.8	27.1	27.3	27.6	27.9
25%	Maximum Power (P _{max})	581.3	587.5	593.8	600.0	606.3
	Module Efficiency (%)	29.1	29.4	29.7	30.0	30.3

Operating Parameters

Maximum System Voltage	1500V DC
Operating Temperature	-40 ~ +85°C
Maximum Series Fuse Rating	30A
Nominal Operating Cell Temperature	45°C±2°C
Application Level	Class A

Temperature Coefficient

Temperature Coefficient of I _{sc} (αI _{sc})	0.046%/°C
Temperature Coefficient of V _{oc} (βV _{oc})	-0.25%/°C
Temperature Coefficient of P _{max} (γP _{mp})	-0.29%/°C
Snow load, frontside / Wind load, backside	5400Pa/2400Pa



Add: No. 1 Yaoyuan Road, Luyang District, Hefei City, Anhui, China

Facebook: www.facebook.com/DAHSolar

E-mail: sales@dahsolar.com

All specific descriptions involving technical modifications and testing conditions shall be subject to the final interpretation authority of DAH Solar

OFFICIAL