



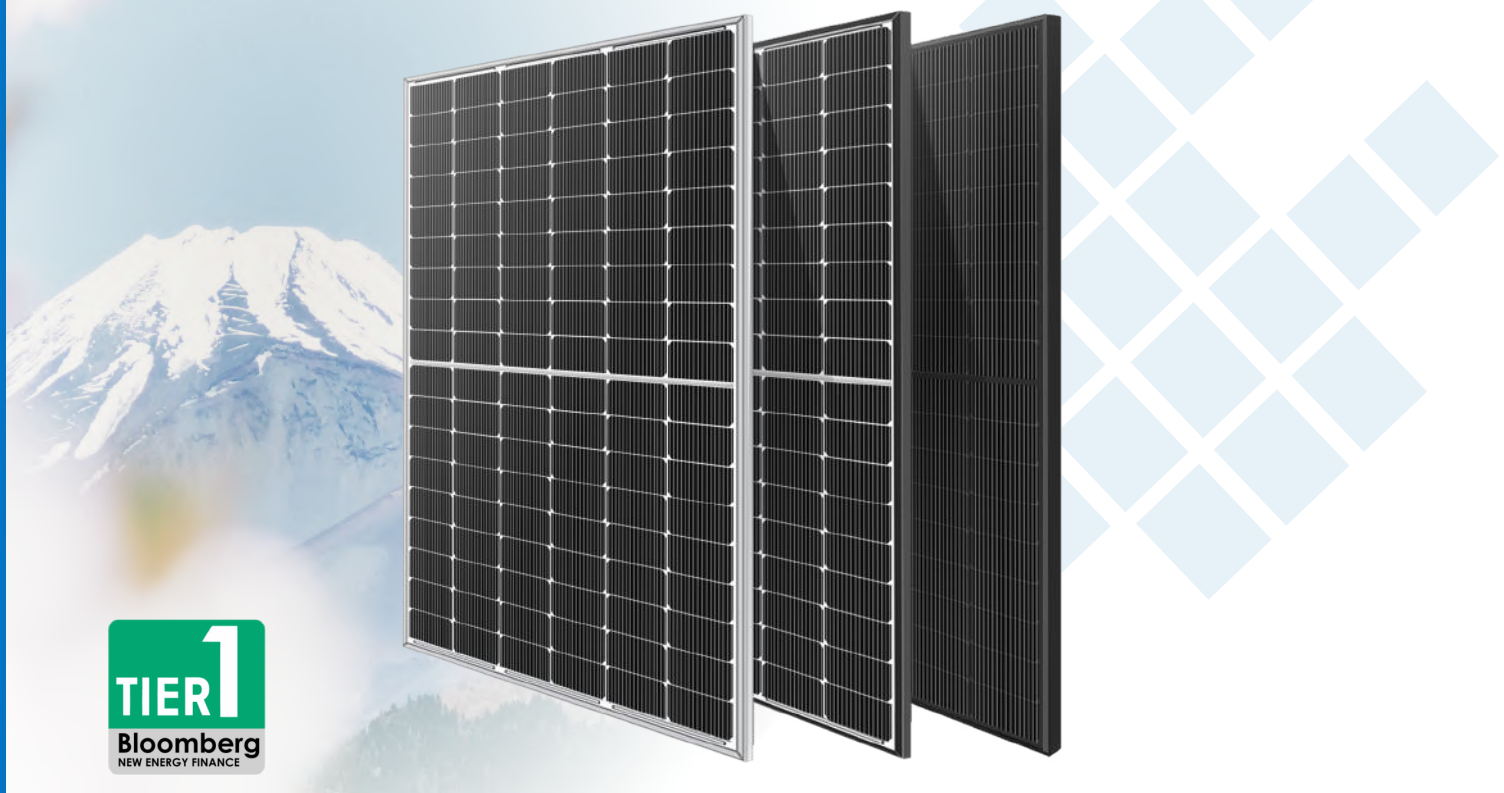
Monofacial

Bifacial

LP182*182-M-54-NH

Rated Power 440W 450W

N-Type TOPCon



N-Type MBB Cell
New circuit design N-type cells, can increase the output power of 10W~20W



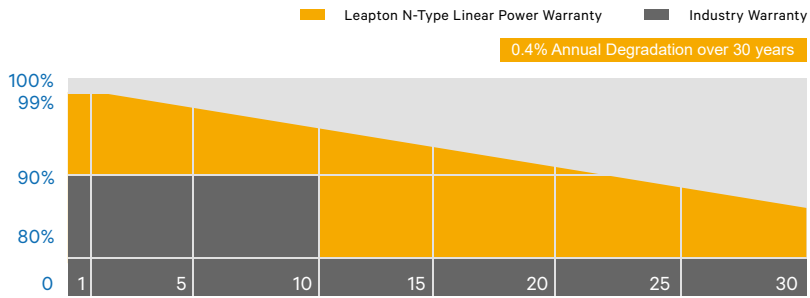
Low Light Features
Higher performance under low light environment.



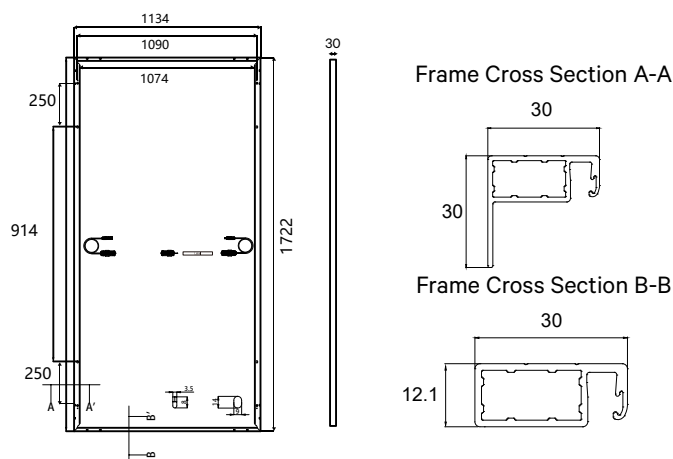
Higher Output Power
Module adopts 108 pcs of 182*182mm half cells, the maximum power can reach 450W.



Load Capacity
Mechanical load tests including wind load 2400 Pa and snow load 5400 Pa done by TUV Nord.



MECHANICAL DIAGRAMS



SPECIFICATIONS

Weight	21kg
Dimensions	1722mm*1134mm*30mm
Cell Dimensions	182*182mm
Cell Amount	54*2 pcs
Maximum System Voltage	1500V
Junction Box	IP68
Frame	Aluminum Alloy
Cable	4mm ² , N 1100mm/P 1100mm for Horizontal installation 4mm ² , N 300mm/P 300mm for Vertical installation
Connector	PV-GZX 1500 NINGBO GZX PV TECHNOLOGY CO., LTD.
Country of Manufacturer	China
Fire Safety Class	Class C according to ANSI/UL 1703-2018

ELECTRICAL PARAMETERS AT STC

Module Name	LP182*182-M -54-NH-440W	LP182*182-M -54-NH-450W
Power	440W±3%	450W±3%
Open Circuit Voltage	38.87V±5%	39.17V±5%
Short Circuit Current	14.27A±5%	14.44A±5%
Maximum Power Voltage	32.05V	32.35V
Maximum Power Current	13.73A	13.91A
Module Efficiency	22.53%	23.04%

* Under Standard Test Conditions (STC) of irradiance of 1000 W/m², spectrum AM 1.5 and cell temperature of 25°C.

ELECTRICAL PARAMETERS AT NMOT

Power	331W	339W
Open Circuit Voltage	36.93V	37.23V
Short Circuit Current	11.45A	11.58A
Maximum Power Voltage	29.93V	30.24V
Maximum Power Current	11.06A	11.21A

* Under Nominal Module Operating Temperature (NMOT), irradiance of 800 W/m², spectrum AM 1.5, ambient temperature 20°C, wind speed 1 m/s.

TEMPERATURE CHARACTERISTICS

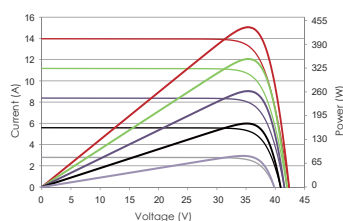
NMOT	41±3°C	Temp Coefficient of ISC	+0.046%/°C
Temp Coefficient of VOC	-0.25%/°C	Temp Coefficient of Pmax	-0.30%/°C

PACKING CONFIGURATION

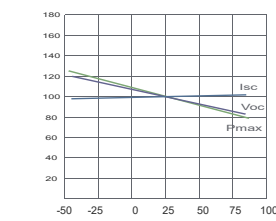
Modules/Pallet	36 Pieces	Modules/40'Container	936 Pieces
Packing Description	26 Pallets, Total=(36+36)x13=936 Pieces		

CHARACTERISTICS

LP182*182-M-54-NH-450W



LP182*182-M-54-NH-450W



MAXIMUM RATING

Power sorting tolerance	0~+5W
Output Tolerance	±3%
Operating Temperature	-40°C~+85°C
Wind Load/Snow Load	2400pa/5400pa
Fuse Current	25A

25 YEARS
Product Warranty

30 YEARS
Power Warranty

Headquarter : Leapton Energy Co., Ltd.

☑ Tosei Bldg. 6F, 1-2-1 Aioi-cho, Chuo-ku Kobe-shi, Hyogo, 650-0025, Japan

☎ +81-78-382-3182

🌐 www.leaptonenergy.jp

Manufacturer : Leapton Solar (Changshu) Co., Ltd.

☑ No.9, Sunshine Avenue, Changshu City, Jiangsu, China

☎ +86-512-88800068

✉ info@leaptonenergy.com

🌐 www.leaptonpv.com