



**LEAPTON**  
SOLAR

Monofacial

Bifacial

# LP182\*182-M-60-NH N-Type

Rated Power 480W 500W



**N-Type MBB Cell**  
New circuit design N-type cells, can increase the output power of 10W~20W



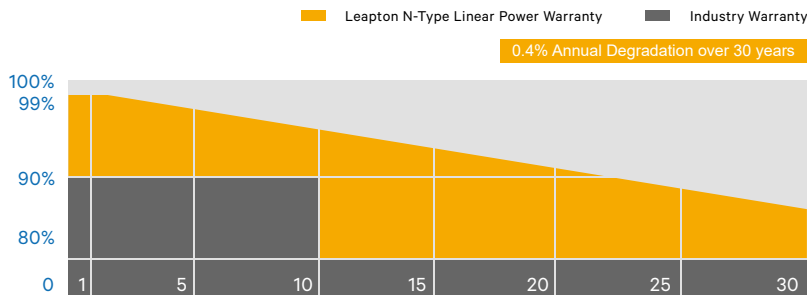
**Low Light Features**  
Higher performance under low light environment.



**Higher Output Power**  
Module adopts 120 pcs of 182\*182mm half cells, the maximum power can reach 500W.



**Load Capacity**  
Mechanical load tests including wind load 2400 Pa and snow load 5400 Pa done by TUV Nord.



Headquarter : Leapton Energy Co., Ltd.

📍 Tosei Bldg. 6F, 1-2-1 Aioi-cho, Chuo-ku Kobe-shi, Hyogo, 650-0025, Japan

☎ +81-78-382-3182

🌐 www.leaptonenergy.jp

Manufacturer : Leapton Solar (Changshu) Co., Ltd.

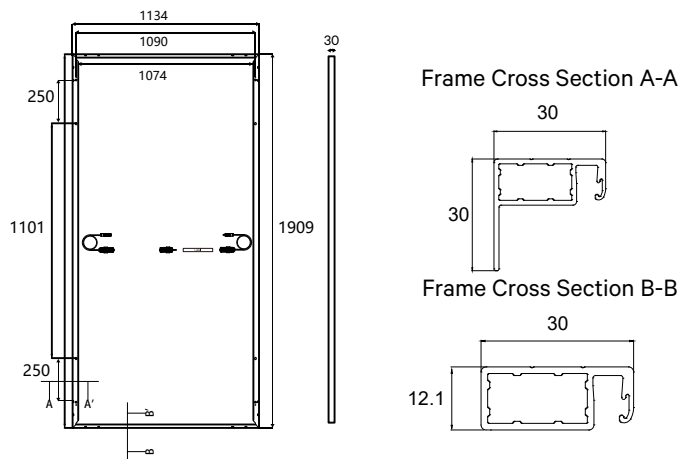
📍 No.9, Sunshine Avenue, Changshu City, Jiangsu, China

☎ +86-512-88800068

✉ info@leaptonenergy.com

🌐 www.leaptonpv.com

## MECHANICAL DIAGRAMS



## SPECIFICATIONS

Weight	23kg
Dimensions	1909mm*1134mm*30mm
Cell Dimensions	182*182mm
Cell Amount	60*2 pcs
Maximum System Voltage	1500V
Junction Box	IP68
Frame	Aluminum Alloy
Cable	4mm <sup>2</sup> , N 1200mm/P 1200mm for Horizontal installation 4mm <sup>2</sup> , N 300mm/P 300mm for Vertical installation
Connector	PV-GZX 1500 NINGBO GZX PV TECHNOLOGY CO., LTD.
Country of Manufacturer	China
Fire Safety Class	Class C according to ANSI/UL 1703-2018

## ELECTRICAL PARAMETERS AT STC

Module Name	LP182*182-M	LP182*182-M
	-60-NH-480W	-60-NH-500W
Power	480W±3%	500W±3%
Open Circuit Voltage	42.90V±5%	43.50V±5%
Short Circuit Current	14.12A±5%	14.44A±5%
Maximum Power Voltage	35.32V	35.92V
Maximum Power Current	13.59A	13.92A
Module Efficiency	22.17%	23.10%

\* Under Standard Test Conditions (STC) of irradiance of 1000 W/m<sup>2</sup>, spectrum AM 1.5 and cell temperature of 25°C.

## ELECTRICAL PARAMETERS AT NMOT

Power	361W	376W
Open Circuit Voltage	40.75V	41.35V
Short Circuit Current	11.36A	11.56A
Maximum Power Voltage	32.97V	33.57V
Maximum Power Current	10.95A	11.20A

\* Under Nominal Module Operating Temperature (NMOT), irradiance of 800 W/m<sup>2</sup>, spectrum AM 1.5, ambient temperature 20°C, wind speed 1 m/s.

## TEMPERATURE CHARACTERISTICS

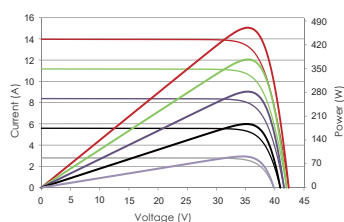
NMOT	41±3°C	Temp Coefficient of ISC	+0.046%/°C
Temp Coefficient of VOC	-0.25%/°C	Temp Coefficient of Pmax	-0.30%/°C

## PACKING CONFIGURATION

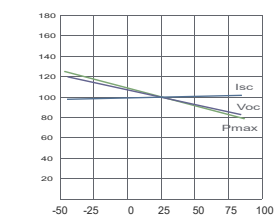
Modules/Pallet	36 Pieces	Modules/40'Container	864 Pieces
Packing Description	24 Pallets, Total=(36+36)x12=864 Pieces		

## CHARACTERISTICS

LP182\*182-M-60-NH-500W



LP182\*182-M-60-NH-500W



## MAXIMUM RATING

Power sorting tolerance	0~+5W
Output Tolerance	±3%
Operating Temperature	-40°C~+85°C
Wind Load/Snow Load	2400pa/5400pa
Fuse Current	25A

**25** YEARS  
Product  
Warranty

**30** YEARS  
Power  
Warranty

Headquarter : Leapton Energy Co., Ltd.

☑ Tosei Bldg. 6F, 1-2-1 Aioi-cho, Chuo-ku Kobe-shi, Hyogo, 650-0025, Japan

☎ +81-78-382-3182

🌐 www.leaptonenergy.jp

Manufacturer : Leapton Solar (Changshu) Co., Ltd.

☑ No.9, Sunshine Avenue, Changshu City, Jiangsu, China

☎ +86-512-88800068

✉ info@leaptonenergy.com

🌐 www.leaptonpv.com